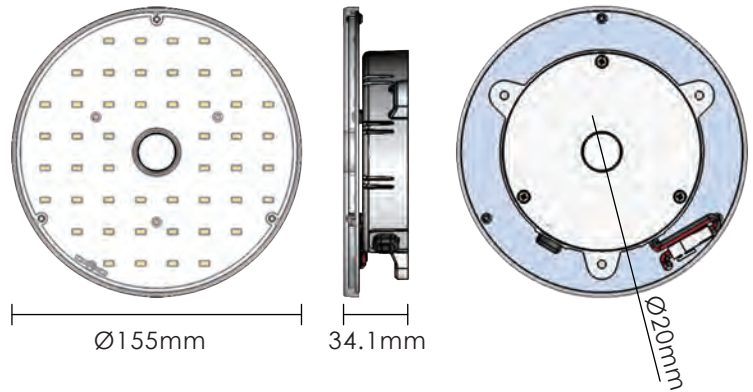


SPECIFICATION

Model Name	Light Disc 20W (L20CHO-120-XX , L20C-120-XX)
Input Voltage	120V
Dimension (mm)	Ø155x34.1
Weight	0.35Kg
Total Power Consumption	20.72W
Operation Temperature	-30°~+40°C

PRODUCT PROFILE



WE HAVE TWO WAY INSTALLATION STEPS

Note: For step 5, a template is provided on the last page to help you pre-drill holes for mounting. 3 hex screws and hex wrench are also provided in the accessory bag for your convenience.

Step 1

OFF

- Switch OFF the Power Source .

Step 2

- Lamp holders and holder leads shall be removed from the original fixture.

Step 3

- Leaving the fixture ground wire connected to the grounding area in the junction box.
- Please refer to Caution.

Step 4

- Removing the canopy to have the input connection inside the junction box.
- Connect the " N " & " L " Cable to AC Source .

Step 5

- Fit on the light disc module.
- Tighten the screws.

Step 6

- Place lamp shade over the PCB and lock in the screws on both sides of the housing .

Step 7

- Assembly completed .

Step 8

ON

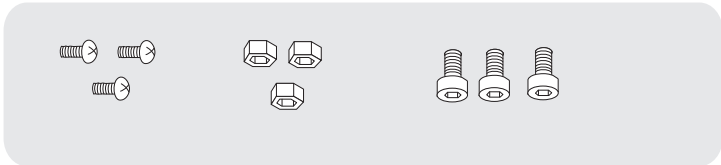
- Please make sure all Steps are done correctly before turning on the Switch .

B INSTALLATION STEPS

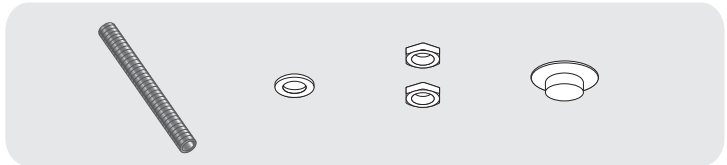
Note: for step 2 below, if you need to extend the existing threaded nipple or NPT, a coupler is also provided in the accessory bag for your convenience.

<p>Step 1</p> <p>OFF</p> <ul style="list-style-type: none"> • Switch OFF the Power Source . 	<p>Step 2</p> <ul style="list-style-type: none"> • Lamp holders and holder leads shall be removed from the original fixture. • Screw in the NPT . 	<p>Step 3</p> <ul style="list-style-type: none"> • Leaving the fixture ground wire connected to the grounding area in the junction box. • Please refer to Caution. 	<p>Step 4</p> <ul style="list-style-type: none"> • Removing the canopy to have the input connection inside the junction box. • Connect the " N " & " L " Cable to AC Source .
<p>Step 5</p> <ul style="list-style-type: none"> • Fit on the light disc module. • Tighten the nut. 	<p>Step 6</p> <ul style="list-style-type: none"> • Place the lamp shade over the light source and assemble the Screw cap on top of the dom shaped lamp shade with the NPT. 	<p>Step 7</p> <ul style="list-style-type: none"> • Assembly completed . 	<p>Step 8</p> <p>ON</p> <ul style="list-style-type: none"> • Please make sure all Steps are done correctly before turning on the Switch .

A Accessories



B Accessories



CAUTION

- Turn power off during installation. Do not connect or disconnect under load.
- This product must be installed in accordance with the applicable installation code by a person familiar with the construction and operation of the product and the hazards involved.
- The power supply unit for the LED is UL low voltage and low energy (LVLE) approved unit thus no need to ground the unit.

ⓘ WARNING

- This retrofit kit is designed to be used with fixture that has "MIN LAMP COMPARTMENT 9 IN DIAMETER BY 4.5 IN HEIGHT".
- This unit is suitable for use in enclosed surface mounted luminaries.
- Risk of fire or electric shock. Luminaries wiring, power supply, or other electrical parts may be damaged when drilling for installation of retrofit assembly hardware. Inspect wiring and components for damage.
- Risk of fire or electric shock. Installation of this retrofit assembly requires a person familiar with the construction and operation of the luminaire's electrical system and the hazard involved. If not qualified, DO NOT attempt installation. Contact a qualified electrician.
- Risk of fire or electric shock. Install this kit only in the luminaires that have the construction features and dimensions shown in the photographs and/or drawings.
- Only those open holes indicated in the photographs and/or drawings may be made or altered as a result of kit installation.
Do not leave any other open holes in an enclosure of wiring or electrical components.
- To prevent wiring damage or abrasion, do not expose wiring to edges of sheet metal or other sharp objects.

Important: If you have download this instruction from the web site and would like to printing this drilling template page on your own, please make sure page scaling in print menu is set to "None"

