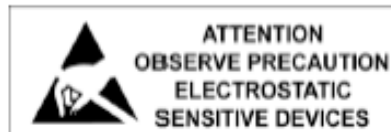


P20 Dimmable Light Engine



Nesora Light Technologies, Inc.

1608 W. Campbell Ave., #198, Campbell, CA 95008

TEL: (408) 426-8986 FAX: (408) 376-3914 <http://www.nesora.com>

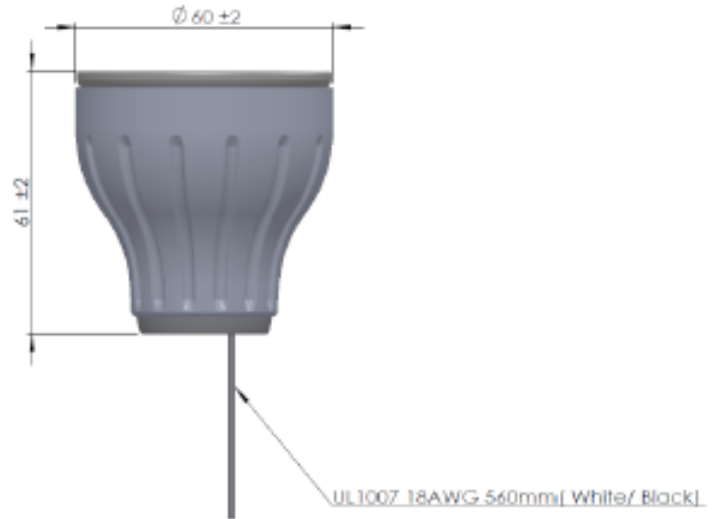
Mfg. ID: PR20A-8K1-VD-NC-O2ccA2C8

Product characteristics				
Model Name	P20 Dimmable Light Engine			
Input Voltage (AC, V)	120VAC±10%			
Power Consumption, P _{system} (W)	8.1W			
Output Voltage (DC, V)	43.4V			
Outout Current (A, Constant Current)	0.155A			
Power Consumption, P _{LED} (W)	6.72W			
LED-Type	AS-5630WWA2-C4C2-M-YP			
Qty of LED (PCS)	28			
Beam Spread Angle (°)	120			
Color Temp Availability	2700K Soft White	3000K Warm White	4000K Normal White	5000K Day White
Luminous Flux @ CRI > 80	720	800	800	800
Color Temp Availability	2700K Soft White	3000K Warm White	4000K Normal White	5000K Day White
Luminous Flux @ CRI > 90	648	720	720	720
Outline Dimensions (Lx D , mm)	D60 x 61 mm			
Weight (kg)	0.13 kg			
Operation Temperature (°C)	-30 °C ~ +40°C			
Storage Temperature (°C)	-40 °C ~ +65 °C			
Lifetime to 50% luminous flux (hr)	50,000 hours			
Lifetime to 70% luminous flux (hr)	35,000 hours			
Dimming control	Dimmable (leading edge dimmer or triac dimmer compatible)			
Notes: 1: Lumen measurement has ±10% Tolerances:				

Nesora Light Technologies, Inc.

1608 W. Campbell Ave., #198, Campbell, CA 95008
 TEL: (408) 426-8986 FAX: (408) 376-3914 <http://www.nesora.com>
 Mfg. ID: PR20A-8K1-VD-NC-O2ccA2C8

Outline Dimensions (in mm):



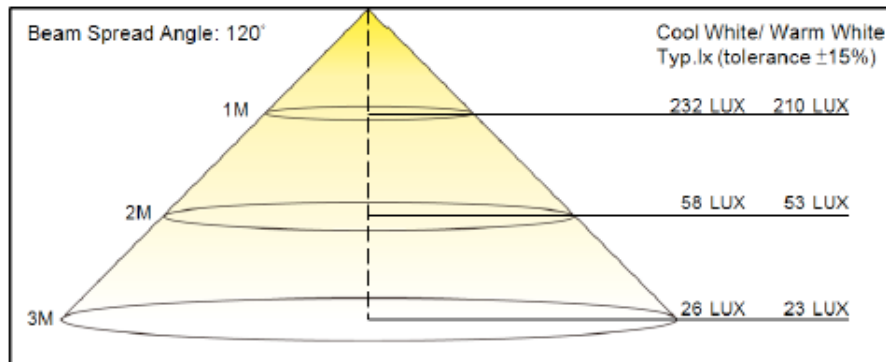
(AC Wire Length: 22" long or 560mm)

Part Number & Color Temp Correspondence:

Product Code (80 CRI)	Product Code (90 CRI)	Name	Nominal Color Temperature (K)
P20D-120-WD	P20D-R-120-WD	Day White	5000
P20D-120-WN	P20D-R-120-WN	Normal White	4000
P20D-120-WW	P20D-R-120-WW	Warm White	3000
P20D-120-WS	P20D-R-120-WS	Soft White	2700

Illumination Map:

1. Tolerance of Lux: ±15 %
2. 120 Deg. (■ 1M ■ 2M ■ 3M)



Nesora Light Technologies, Inc.

1608 W. Campbell Ave., #198, Campbell, CA 95008
 TEL: (408) 426-8986 FAX: (408) 376-3914 <http://www.nesora.com>
 Mfg. ID: PR20A-8K1-VD-NC-O2ccA2C8