



Approved by: CKL Checked by: NGY & HF Prepared by: Wilma
2.7

Date: Jan 13, 2013 Version:

StarSpectra™ Series Lightbar (24VDC)

Product #: 18XX-120-XX (120 degree)



Nesora Light Technologies, Inc.
1608 W. Campbell Ave., #198, Campbell, CA 95008
TEL: (408) 426-8986 FAX: (408) 376-3914
<http://www.advanced-opto.com>



Approved by: CKL Checked by: NGY & HF Prepared by: Wilma
2.7

Date: Jan 13, 2013 Version:

Product Features & Characteristics	
Product Name	Lightrail-24VDC 250 / 500 / 1000
Connector	One side male, another side female
LED-Type	AS3528ccA2C2
Beam Spread Angle (°)	120° or 60°
Output Voltage	24V (Constant Voltage)
Power Consumption (LED), P _{LED} (W)	See Details Below for each different length
Complete Dimensions (d x h)	See Details Below for each different length
Operating Temperature (°C)	-20 °C ~ +50 °C
Storage Temperature (°C)	-20 °C ~ +50 °C
Life Time Expectancy (Lightbar)	50,000 hours

White Color Temperature & Luminous Flux:

Lightbar 250 (~10” length version), **MOQ 160 units:**

Product # (120 Degree)	Color Temp Name	Color Temperature	Lumen*	Dimension	Power Consumption
1801-120-WC	Cool White	6500K	350 Lumen	250L x 32W x 15H (9.8 x 1.3 x 0.59)	3.6W
1801-120-WD	Day White	5000K	350 Lumen	250L x 32W x 15H (9.8 x 1.3 x 0.59)	3.6W
1801-120-WN	Normal White	4000K	350 Lumen	250L x 32W x 15H (9.8 x 1.3 x 0.59)	3.6W
1801-120-WW	Warm White	3000K	333 Lumen	250L x 32W x 15H (9.8 x 1.3 x 0.59)	3.6W

*Note: Tolerance of Lumen: ±10 %

Lightbar 500 (~20” length version), **MOQ 80 units.**

Nesora Light Technologies, Inc.
1608 W. Campbell Ave., #198, Campbell, CA 95008
TEL: (408) 426-8986 FAX: (408) 376-3914
<http://www.advanced-opto.com>



Approved by: CKL Checked by: NGY & HF Prepared by: Wilma
2.7

Date: Jan 13, 2013 Version:

Product # (120 Degree)	Color Temp Name	Color Temperature	Lumen*	Dimension	Power Consumptio
1802-120-WC	Cool White	6500K	680 Lumen	500L x 32W x 15H (19.7 x 1.3 x 0.59)	7.2W
1802-120-WD	Day White	5000K	680 Lumen	500L x 32W x 15H (19.7 x 1.3 x 0.59)	7.2W
1802-120-WN	Normal White	4000K	680 Lumen	500L x 32W x 15H (19.7 x 1.3 x 0.59)	7.2W
1802-120-WW	Warm White	3000K	610 Lumen	500L x 32W x 15H (19.7 x 1.3 x 0.59)	7.2W

*Note: Tolerance of lumen measurement: ±10 %

Lightbar 1000 (~40" length version), MOQ 40 units.

Product # (120 Degree)	Color Temp Name	Color Temperature	Lumen*	Dimension	Power Consumptio
1804-120-WC	Cool White	6500K	1386 Lumen	1000L x 32W x 15H (39.4 x 1.3 x 0.59)	14.4W
1804-120-WD	Day White	5000K	1386 Lumen	1000L x 32W x 15H (39.4 x 1.3 x 0.59))	14.4W
1804-120-WN	Normal White	4000K	1386 Lumen	1000L x 32W x 15H (39.4 x 1.3 x 0.59)	14.4W
1804-120-WW	Warm White	3000K	1317 Lumen	1000L x 32W x 15H (39.4 x 1.3 x 0.59))	14.4W

*Note: Tolerance of lumen measurement: ±10 %

Nesora Light Technologies, Inc.
 1608 W. Campbell Ave., #198, Campbell, CA 95008
 TEL: (408) 426-8986 FAX: (408) 376-3914
<http://www.advanced-opto.com>

Assembly Perspective:

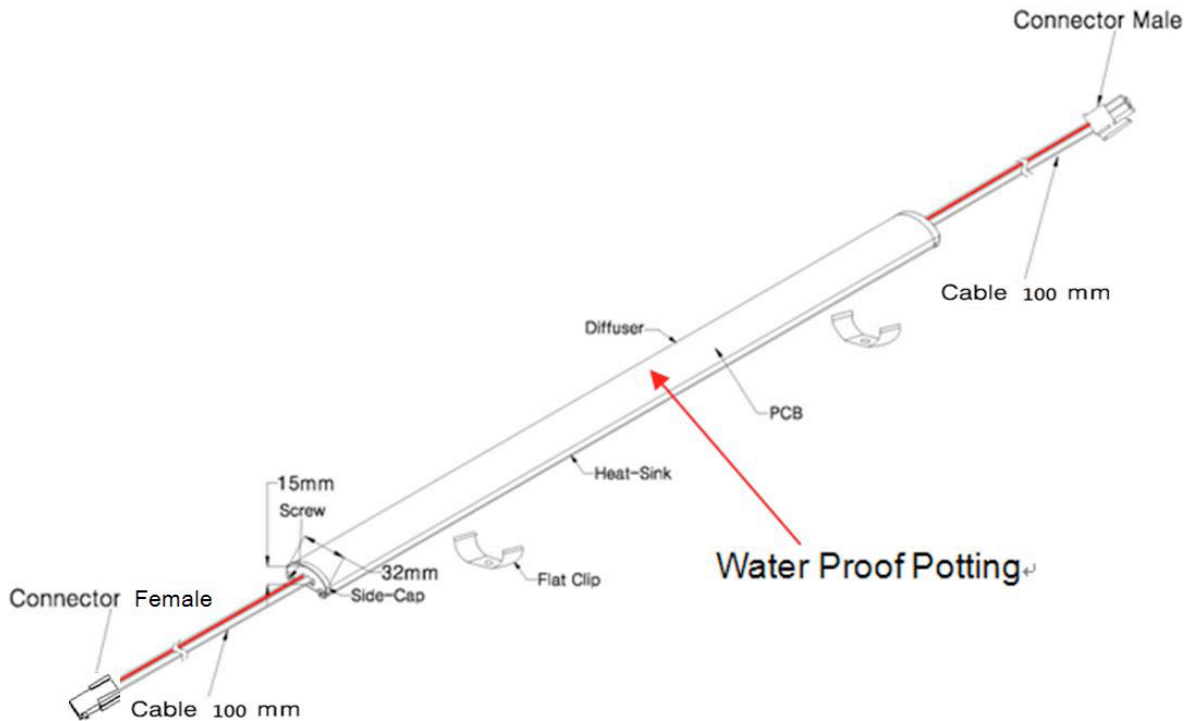
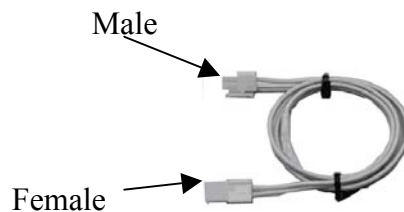


Fig. 1

Standard Accessory that comes with each Lightbar:

1. Male/female Jumper cable in 12" length (other length available upon request at a nominal price)



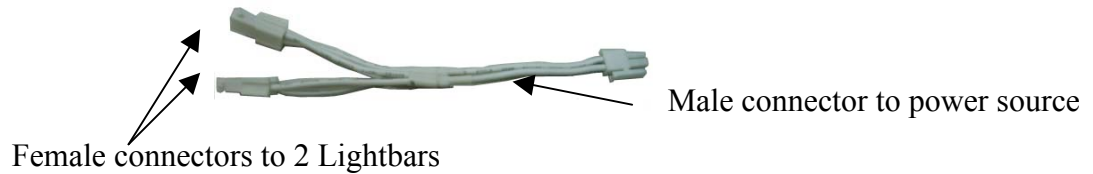
2. Installation angle clips, 2 different style, one with 30° and 60° while the other is 90° flat clip as shown below.

Nesora Light Technologies, Inc.
1608 W. Campbell Ave., #198, Campbell, CA 95008
TEL: (408) 426-8986 FAX: (408) 376-3914
<http://www.advanced-opto.com>



Optional Accessory:

1. "Y" connector, 1 male to 2 female parallel connector (P/N: 11-Y-XX)



2. 36" jumper cable to inter-connect 2 Lightbars is available (P/N: 1800-IntCon-36)

Optional Power Supply:

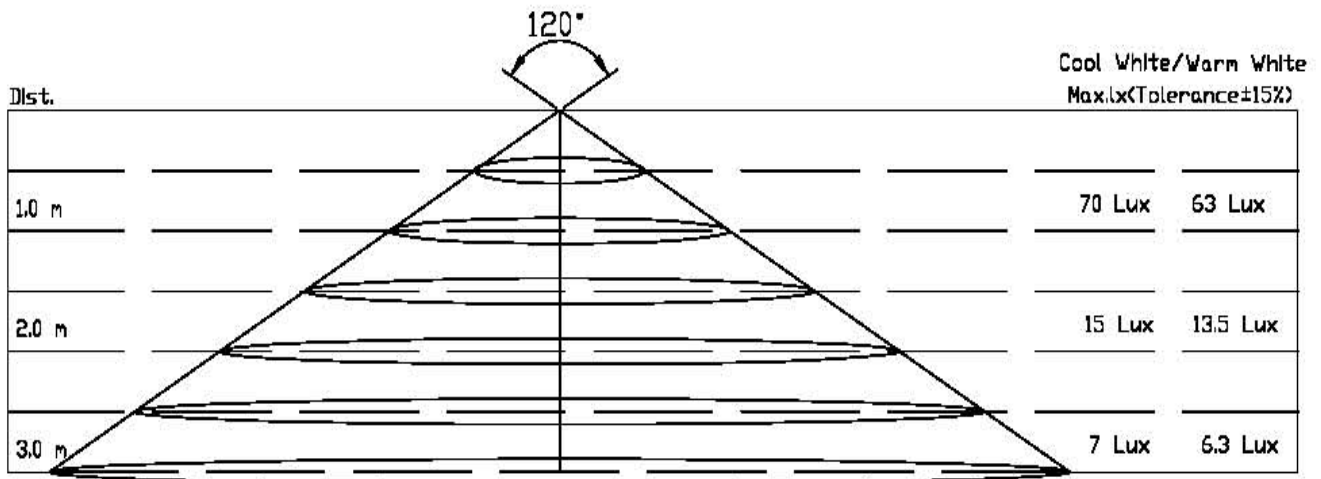
Hard-wire power supply versions, Input AC100-240V, Output DC 24V

- ❖ For 20W Power Supply, please specified P/N: 1800-20, it should fits in the 3-gain junction box. This power supply will feed maximum of 48 inches long of Lightbars in daisy-chain
- ❖ For 60W Power Supply, please specified P/N: 1800-60, it should fits in the 4-gain junction box. This power will feed maximum of 144 inches long of Lightbars in daisy-chain
- ❖ For 100W, please specified P/N: 1800-100, it should fits in the 6-gain junction box. When use this power supply, a Y-adaptor must be used to split the power into 2 groups of Lightbars. Each group should have no more than 80 linear inches of Lightbars connected in series.
- ❖ All power supply DC output will come prepped with power cord and female connector ready to power the Lightbar.
- ❖ **Please note if 277VAC is needed for any of the power supplies needed above, please be sure to specified when order.**

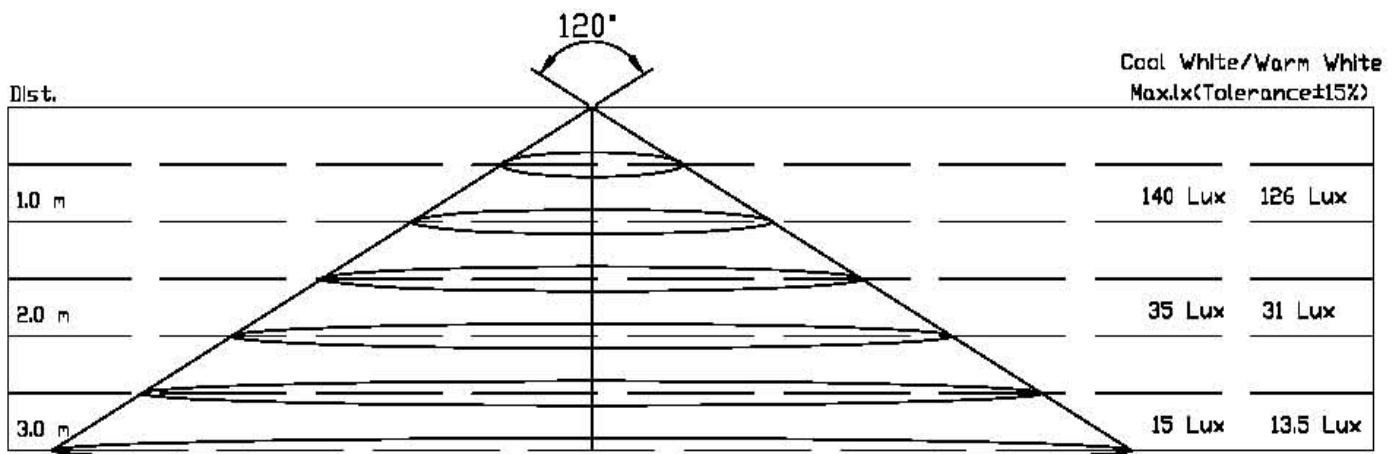
Nesora Light Technologies, Inc.
1608 W. Campbell Ave., #198, Campbell, CA 95008
TEL: (408) 426-8986 FAX: (408) 376-3914
<http://www.advanced-opto.com>

Illumination Map for 120 degree version:

Lightbar 250 Illumination Pattern (1M or 3ft, 2M or 6ft, 3M or 9 ft; 1 ft-cd ~ 10 lux):

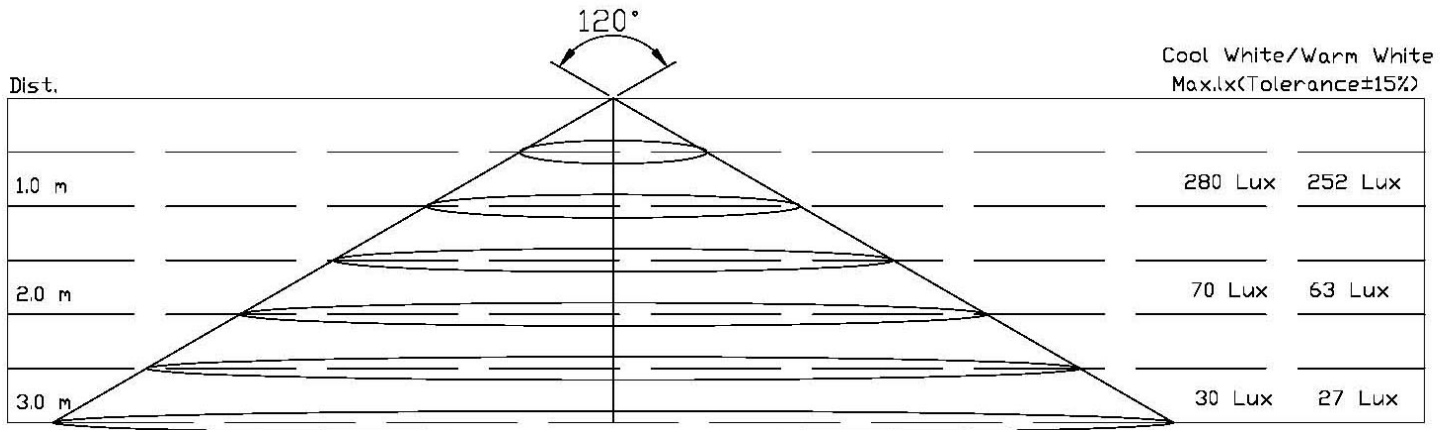


Lightbar 500 Illumination Pattern:



Nesora Light Technologies, Inc.
1608 W. Campbell Ave., #198, Campbell, CA 95008
TEL: (408) 426-8986 FAX: (408) 376-3914
<http://www.advanced-opto.com>

Lightbar 1000 Illumination Pattern:



Nesora Light Technologies, Inc.
1608 W. Campbell Ave., #198, Campbell, CA 95008
TEL: (408) 426-8986 FAX: (408) 376-3914
<http://www.advanced-opto.com>