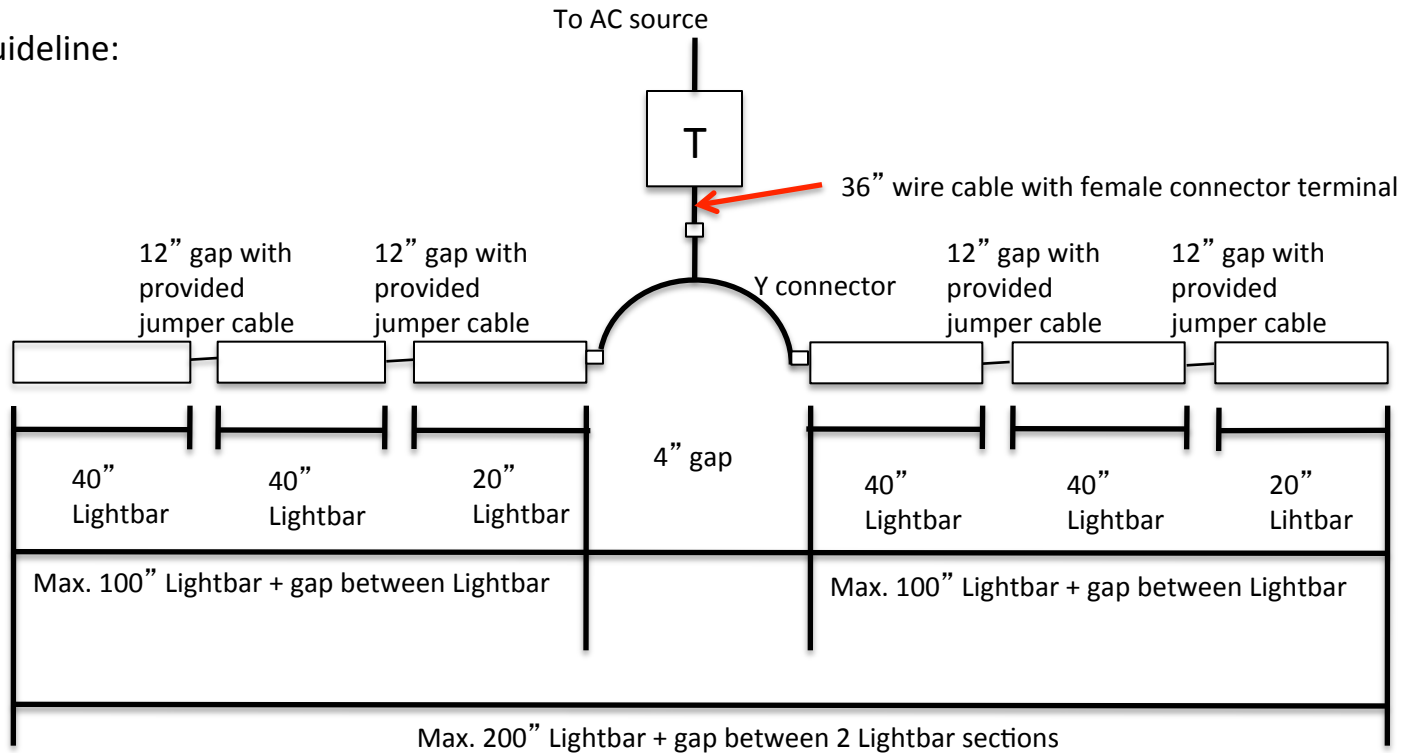


StarSpectra™ Undercabinet LED Lightbar

Installation Guideline:



T = hard-wire power supply, 20W, 60W, or 100W depending on number of Lightbars used in the installation
All power supplies come pre-fit with 36" length DC power cable with female connector terminal

Notes:

- 100W transformer drives up to 200-in of Lightbars (please diagram above). 60W transformer drives up to 160-in of Lightbars in 2 sections with each section being 80-in in length wired in similar fashion as shown above.
- 20W transformer can only be used to power up to 48-in in length or used with either one 48" Lightbar or one 40" Lightbar
- Maximum 12-in gap between each lightbar for even light at 18+ inch from lighted surface .
- DO NOT use 20W, 60W, & 100W transformer with any dimming switch device. A separated dimmable transformer needed to be specified and used for dimming purpose. Please call for special order and more info
- A "Y" wire connector need to be ordered separately.